

User Manual

Thank you very much for purchasing our product.

- Read this manual carefully before use.
- After reading this manual, be sure to store it away for future reference when needed.

Notification

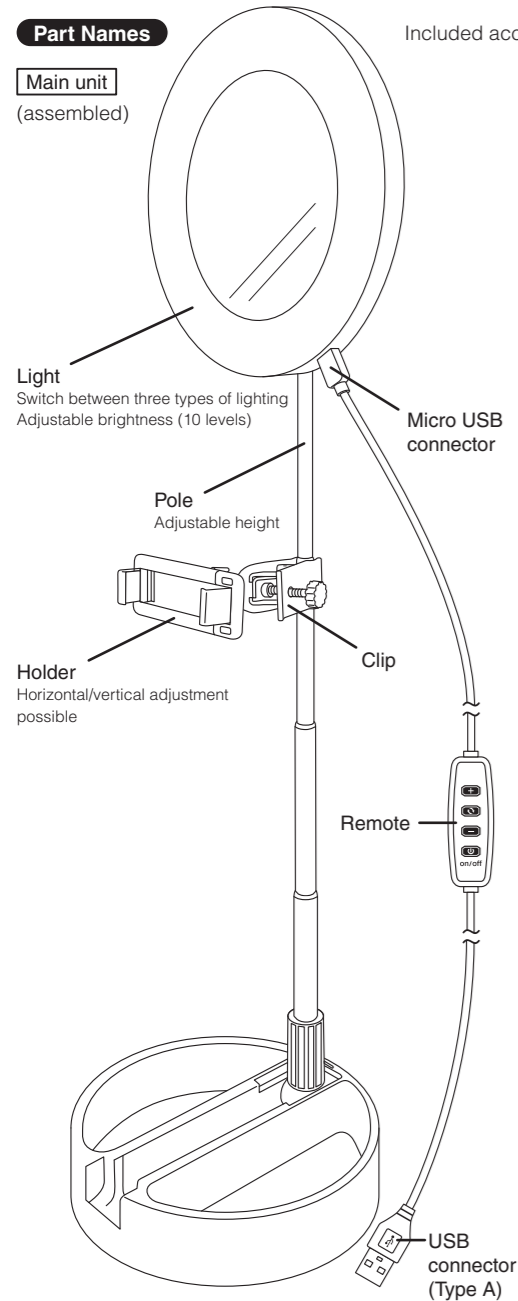
We have done our utmost to provide you with a top quality product. However, we will not be held responsible if direct/indirect damage is incurred as a result of product use. Please understand in advance.

Part Names

Main unit
(assembled)

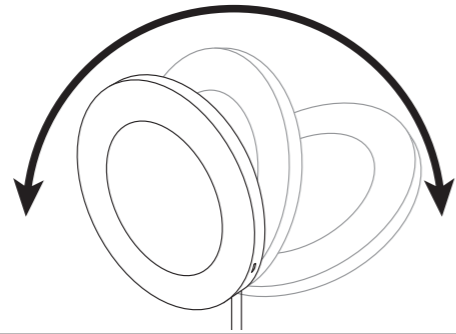
Included accessories

- Holder... 1
- Clip and joint part... 1
- USB cable with remote (length: approx. 170 cm)... 1
- User Manual/ Warranty (this booklet)... 1



Adjusting the light angle

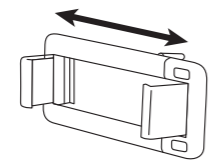
Angle can be adjusted forward or backward.



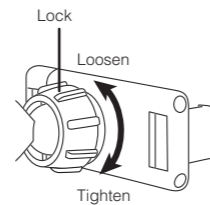
Using the holder

The holder can be widened horizontally to attach a smartphone.

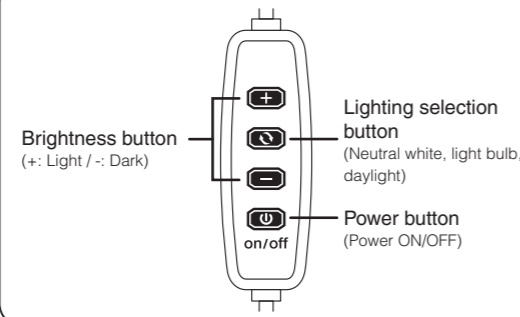
* Compatible with devices approx. 6 to 9 cm in width



The lock mechanism can be loosened to adjust the holder angle up/down, right/left.



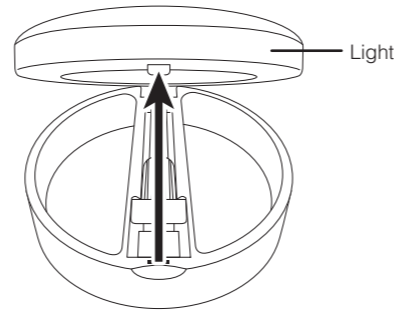
Using the remote



How to Use

* Be sure that each part is securely attached when assembling. Also, be sure to avoid getting fingers, hair, etc. caught inside.

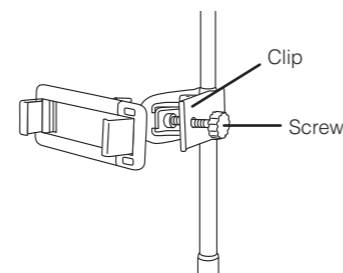
1 Open the light part and stand the pole up.



3 Extend the pole upward to your desired height.



5 Move the clip to your desired height on the pole, then tighten the screw to clamp it in place.



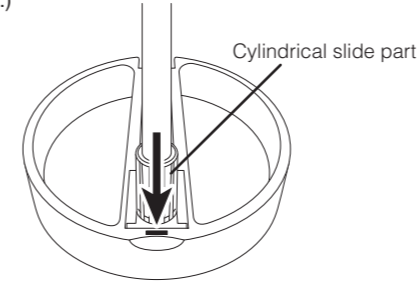
7 Place the product on a flat, stable surface, then attach a smartphone to the holder.

* Compatible with devices approx. 6 to 9 cm in width
* May not be compatible with some smartphone cases, even if it is within range.

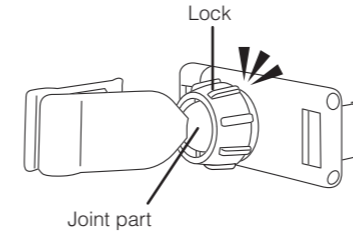
9 Adjust the holder and light to your desired angle, then press the power button on the remote to turn on the light.

* Do not forcefully or recklessly pull the product in any direction when adjusting its angle or the direction it is to face.

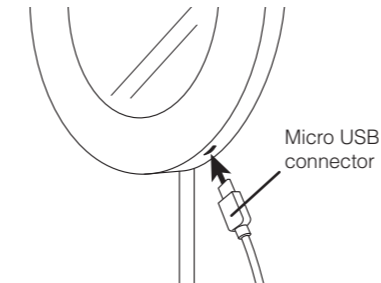
2 Move the cylindrical slide part downward to lock it in place. (When folding, be sure to pull out the cylindrical slide part.)



4 Loosen the holder's lock mechanism, then press it into the clip's joint part until a sound is heard to secure the lock.

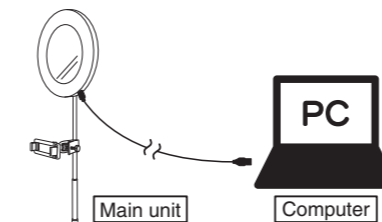


6 Insert the micro USB connector into the light's port.



8 Insert the Type A USB connector into the USB port of a PC, etc.

* In very rare cases, powering this product from a PC may cause the PC to malfunction. If this occurs, disconnect the product from its power source.
* Use a PC USB port or 5V1A output adapter to power this product.



Usage Precautions

- The mirror portion is made of glass, so be sure to handle with care.
- A USB power source is required to use this product.
- Do not store or use in a bathroom, moist areas, or areas of high temperature and humidity. Also, be sure there is no damage or abnormality to the product before each use.
- Set it on a flat, stable area.
- Some smartphone cases may not attach to this product, even when within size range.
- Do not forcefully or recklessly pull the product in any direction when adjusting its angle, or the direction it is to face. Also, do not use unnecessary force when dealing with the product's moving parts.
- Do not subject this product to heavy impact or intense vibration. Doing so may cause malfunction or damage.
- Do not use the USB cord or connector unless they are free of dust or debris.
- When connecting/disconnecting the USB cord, be sure to hold it by the connector, and do not use force. When connecting, be sure to insert straight into the proper port. Failure to do so may cause a fire, malfunction, or damage.
- Do not touch this product with wet or dirty hands.
- Do not soak or submerge this product in water.
- Do not place heavy objects on this product, or wrap it in paper or cloth. Doing so could cause damage, or generate heat, leading to fire or malfunction.
- Due to each product being slightly unique, light color and brightness may vary in some cases.
- The LED bulb cannot be replaced.
- If the product heats up to a point you can no longer hold it, immediately refrain from use.
- If the product is significantly dirty, use a soft, dry cloth to wipe it clean.
- After use, be sure to press the ON/OFF button to OFF. When storing for a long period of time, remove its USB connector from the USB port, and store product in an area where young children cannot reach it.
- When disposing of the product, comply with local ordinances of proper disposal.