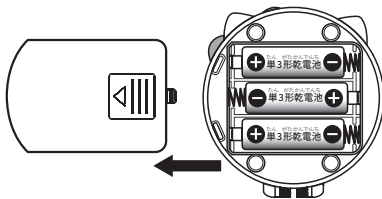


Inserting Batteries

* Can also be powered by USB.

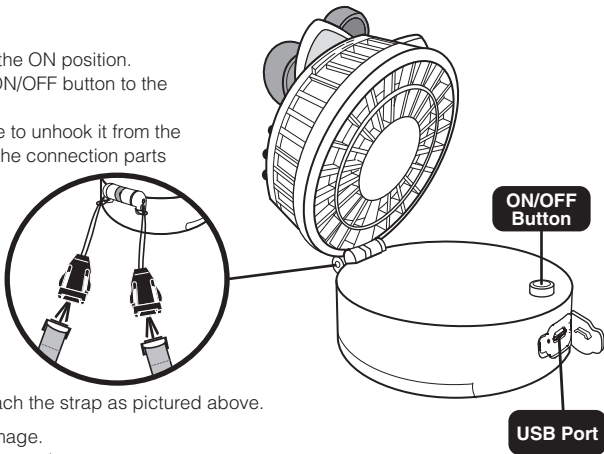
- ① Remove the battery box lid underneath the unit by sliding it in the direction of the arrow.
- ② Insert 3 new AA batteries, making sure they are aligned correctly with the + and - positions.
- ③ Slide the battery box lid back on in its original position.



How to Use

- ① Press the ON/OFF button to the ON position.
- ② When not in use, press the ON/OFF button to the OFF position.

* To use the strap, first be sure to unhook it from the connection parts, then loop the connection parts into the strap holes.



* Attach the strap as pictured above.

* This illustration is a product image.

* Product parts are not sold separately.



Warning (read carefully before use.)

- Only use this product as originally intended.
- For safety, be sure to keep this product away from fingers, hands, face, and hair while blades are rotating.
- Do not insert fingers, etc. into the product's moving parts. Doing so could cause injury.
- Be sure not to bang this object against hard surfaces or drop it. Doing so could cause it to break.
- Do not spin the neck strap around recklessly.
- Do not exercise or play around while wearing the neck strap.
- Handle the product carefully, so that young children cannot lick, swallow or place metal parts in their mouth.
- Do not use unnecessary force when opening/closing the product.

<Improper use of batteries may cause leakage, unwanted heat or damage. Please note the following.>

- Do not use rechargeable batteries with this product.
- Do not mix different types of batteries for use, such as old and new.
- Make sure batteries are aligned correctly with the + and - positions.
- After use, be sure to press the ON/OFF button to its OFF position, and remove the batteries.
- Do not short, recharge, disassemble, or heat up the product, and do not expose it to fire.
- If liquid leaking from a battery gets in your eye, immediately flush it out with a large volume of water, and contact a physician. If battery liquid makes contact with skin or clothing, wash with water.
- When disposing of batteries, comply with local ordinances of proper disposal.
- If the product gets dirty, dampen a cloth with neutral detergent diluted with water, or soapy water, and use it to wipe the product clean.
- * Do not use benzene, paint thinner, or alcohol products for cleaning.

<USB Cable>

- The USB cable can be used while batteries are inserted (USB power is prioritized in this case).
- For USB power, be sure to use the included USB cable.
- The included USB cable is designed specifically for this product. Do not use it with any other product.
- If the USB cable is forcefully bent, pulled, tied into a knot, held too close to a heater, or damaged, it may cause a short or fire, and should not be used.