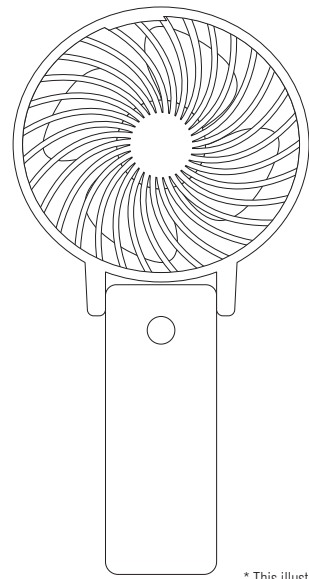


For Ages 6 & Up

2WAY Handy Fan

# <User Manual>



\* This illustration is a product image

## Safety Precautions

- Please read these "Safety Precautions" carefully before use, and use the product as stated.
- The precautions listed in this manual are important to follow for safety reasons.
- After reading through these precautions, be sure to store them in an area that can be easily viewed for future reference.

<b>WARNING</b>	Handling the product contrary to these warnings could result in death or serious injury.
<b>CAUTION</b>	Mishandling could lead to physical injury or property damage. (Property damage refers to significant damage to house, household property, livestock, pets, etc.)
<b>Symbol meanings and examples</b>	<p>⊘ indicates something you should not do. More specific information is available as a picture or text inside of or near the ⊘.</p> <p>● indicates something you must do. More specific information is available as a picture or text inside of or near the ●.</p>

## WARNING

⊘ Do not disassemble. Repairs should only be done by trained service personnel. Repairing the product yourself could lead to fire, electric shock, or injury.	⊘ If something abnormal happens (such as the smell of smoke or actual smoke arising), remove the USB cable/batteries and stop using at once. Failure to do so could lead to fire or electric shock.
⊘ Do not place this product in water or pour water on it. Doing so could lead to electrical shock or short.	⊘ Do not run the motor without the fan guard securely attached. Doing so could cause injury.
⊘ Keep out of reach of children, and do not let children use this product unsupervised. Doing so could lead to injury or electric shock.	⊘ After use, be sure to turn the product off and remove the USB cable. Failure to do so could lead to fire or malfunction.
⊘ Do not use with anything more than 100V AC. Doing so could lead to fire or electric shock.	⊘ Do not insert pins, wires, or other metal/foreign objects into slits or openings on the main unit. Doing so could cause electric shock or injury.

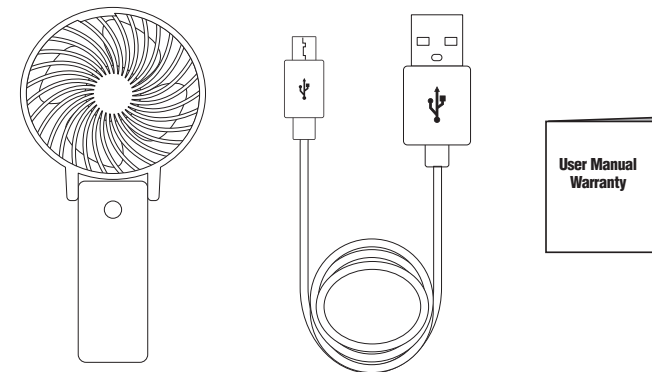
## CAUTION

⚠ Before product care, be sure to turn off the power for safety. Failure to do so may cause electric shock or fire.	⚠ If the product starts to vibrate abnormally, stop using it. Failure to do so could cause the fan guard to come off, or cause the unit to fall and cause injury.
⊘ Do not keep the fan blowing on your body for a long period of time. Doing so could cause health issues.	⊘ Do not use this product on an unstable base. Doing so could cause injury or malfunction.
⊘ Do not modify, forcefully bend, twist, or pull the USB cable. Doing so could cause a malfunction.	⊘ Do not put fingers inside of the fan guard, or touch moving parts, etc. Doing so could cause injury.
⚠ When removing the AC adapter, be sure not to pull on the electrical cord, but to grip the AC adapter unit instead. Failure to do so may cause electric shock or short.	⊘ When inserting/removing the USB cable, be sure to hold it at the base. Failure to do so could cause injury, accident, or damage.
⊘ Do not use in the following places: x Near the flames of a stove, etc. x Near flammable gas x Areas exposed to rain or splashing. Doing so may cause flames to die out, or cause a fire/electric shock.	

## Specifications

Power	5V (when using USB) / 3V (when using 2 AA alkaline dry cell batteries) Weak: 530mA, Strong: 760mA (USB)
Power consumption	Weak: 480mA, Strong: 550mA (dry cell batteries)
Continuous operation time	Weak: 180 min / Strong: 120 min (alkaline dry cell)
Size	Approx. W169mm x H215mm x D45mm
Weight	About 110 g
Cable length	About 50 cm
Recommended temperature for use	5 - 35°C
Recommended humidity for use	20 to 80% (without condensation)
Materials	Main unit: ABS / Blades: PP

## Included Contents



2WAY Handy Fan

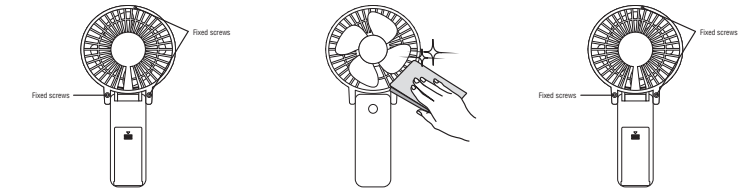
USB power cable

User Manual / Warranty

## Product Care & Storage

**WARNING** Before product care, be sure to remove the USB cable or batteries from the main unit. Failure to do so could cause electric shock or injury.

- Request
  - Do not use household detergent, paint thinner, benzene, alcohol, polishing powder, etc.
  - Do not pour water on the main unit to wash it. Doing so could cause electric shock or malfunction.
- Product Care
  - To clean dirt from the main unit, dampen a soft cloth with lukewarm water, or neutral detergent dissolved in water, wring it out thoroughly, and wipe away the dirt. Then use a dry cloth to gently wipe it dry. Do not rub the parts made of resin too strongly. Doing so may damage the product.
  - How to remove the front fan guard
    - Be sure the product is turned off before you begin.



1. Use a Phillips head screwdriver (plus driver) to remove screws holding the front fan guard in place.
2. Use a cloth to wipe off any dust or dirt.
3. Reassemble in the opposite order, first attaching the front fan guard. Finally, tighten the screws to their original positions.

## Before requesting service or repair

**WARNING** Repairs and disassembly should only be done by trained service personnel.

If you think something is not right check the following points.

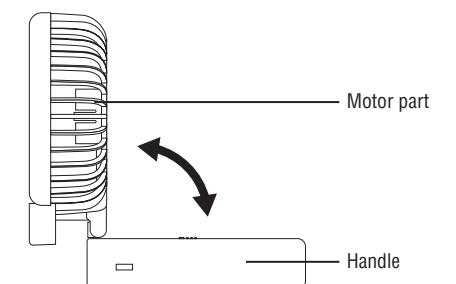
Problem	Main Cause	Action
The blades don't rotate	USB operation: The USB cable is loose. Battery operation: No batteries are inserted. Batteries are dead.	USB operation: Properly insert the USB cable. Battery operation: Insert batteries. Replace with new batteries.
A loud noise is heard during operation	• The fan guard is loose. • A lot of dust is stuck to the blades, etc.	• Attach the fan guard correctly. • Clean and remove dust.

## Handling batteries

- Improper use of batteries may cause leakage, unwanted heat, or damage. Be sure + and - polarities are in the correct position.
- If liquid leaking from a battery gets in your eye, immediately flush it out with a large volume of water, and contact a physician. If this liquid makes contact with skin or clothing, wash with water.
- Do not short, recharge, disassemble, or heat up the product, and do not expose it to fire. Dispose of dead batteries according to local government regulations.
- Be sure to remove the batteries if this product is to be stored away for a long period of time.

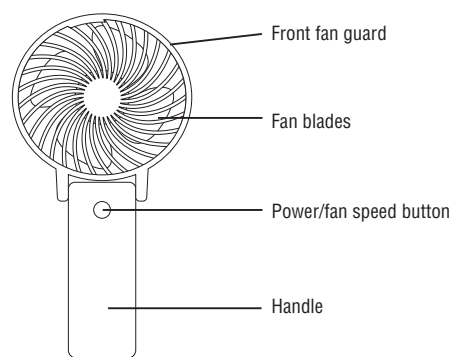
## How to adjust fan direction

- Up/down adjustment
- Support the handle and move the motor portion up/down to adjust.

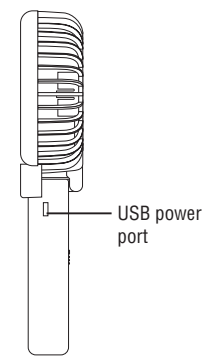


## Part Names

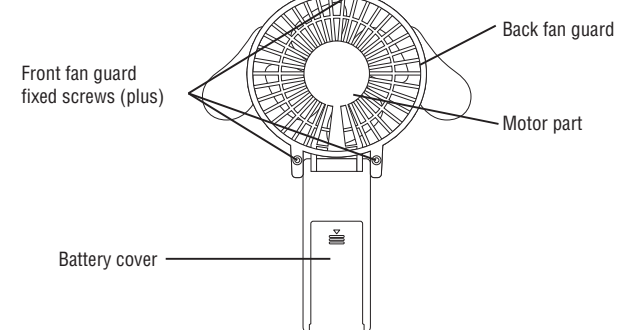
[FRONT]



[SIDE]

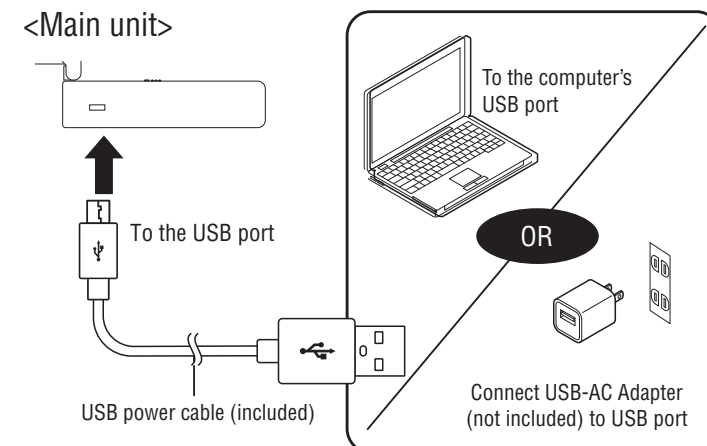


[BACK]



## How to supply power via USB

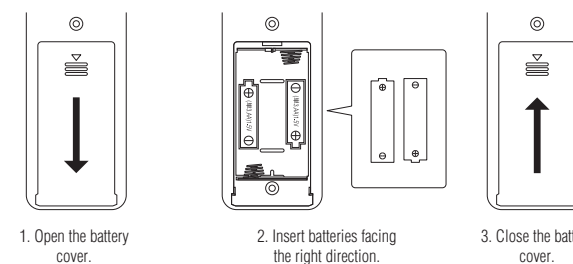
Power can be supplied to this product using the included USB power cable. Connect the included USB power cable to the USB port of a computer, or connect a USB-AC adapter (not included) to the USB port on this product.



- CAUTION**
- \* When inserting the cable into the micro USB port, be sure the connector is facing the right way. Forcibly inserting the connector may cause damage.
  - \* This product does not include a battery charging function.
  - \* Be sure not to use this product for a long period of time. Doing so may cause the motor or moving parts to burn out.
  - \* When connecting to the USB hub and using this product with another device, this product may suddenly stop working due to insufficient voltage.
  - \* When using batteries to operate this product, be sure to disconnect the USB cable.
  - \* The USB cable can be used with batteries inserted. (Power from the USB cable will be prioritized during use.)

## How to supply power from dry cell batteries

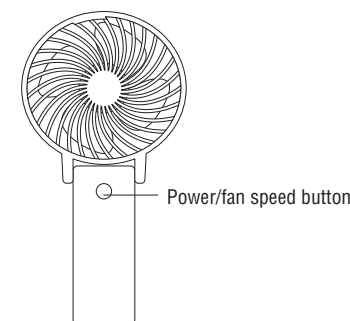
- A USB cable or batteries can be used to power this product. Please insert two AA alkaline dry cell batteries.
- Align the battery cover's tab with the slot in the main unit, and slide the cover closed until you hear a click.



1. Open the battery cover.
2. Insert batteries facing the right direction.
3. Close the battery cover.

\* Refrain from using this product with mixed batteries (one old and one new), or battery types that differ from alkaline dry cells such as nickel-hydrogen batteries.

## How to operate power/fan speed button



- [How to operate]
- Switch operation
    - 1st press: Low rotation
    - 2nd press: High rotation
  - Turning it off
    - Wind speed "low": Press twice
    - Wind speed "high": Press once

**CAUTION** \* Do not bend this product improperly or fold with force.